

Figure-1

*Abhishek Sen*

ABHISHEK SEN  
IN/PA No. 980  
of S. MAJUMDAR & CO.  
(Applicant's Agent)

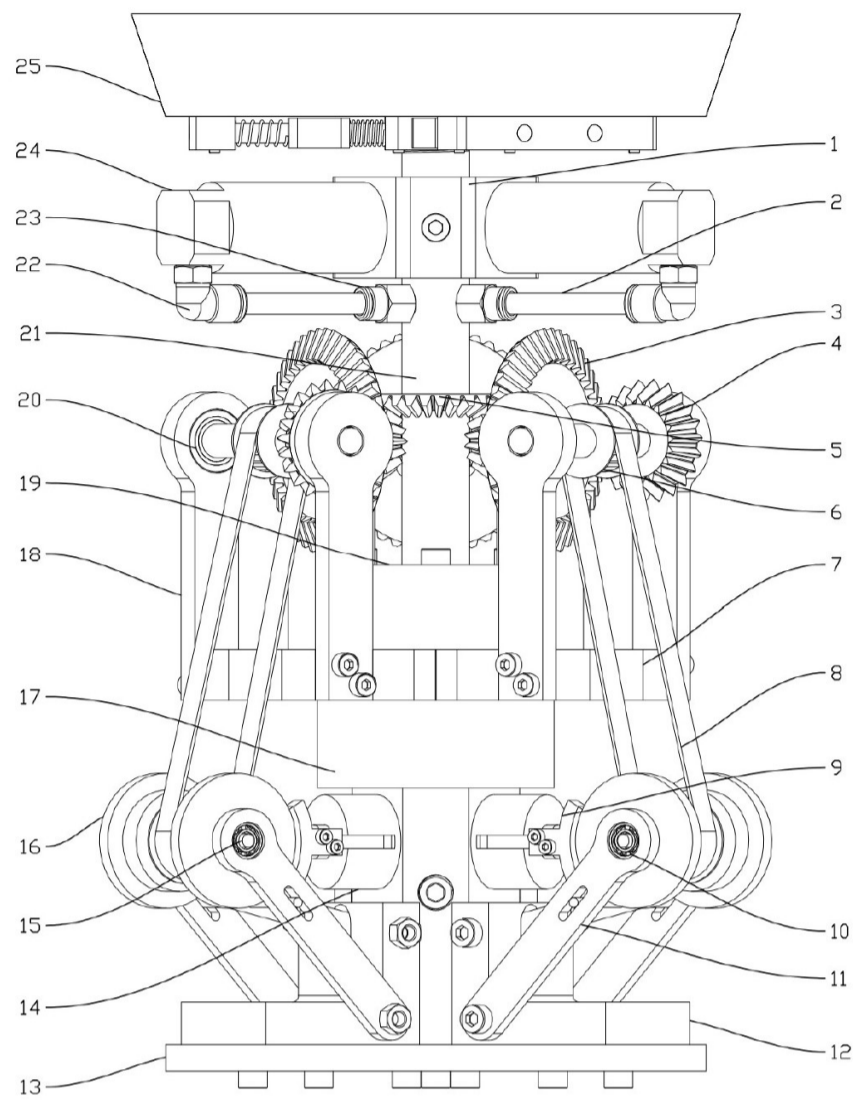


Figure- 2

*Abhishek Sen*

ABHISHEK SEN  
IN/PA No. 980  
of S. MAJUMDAR & CO.  
(Applicant's Agent)

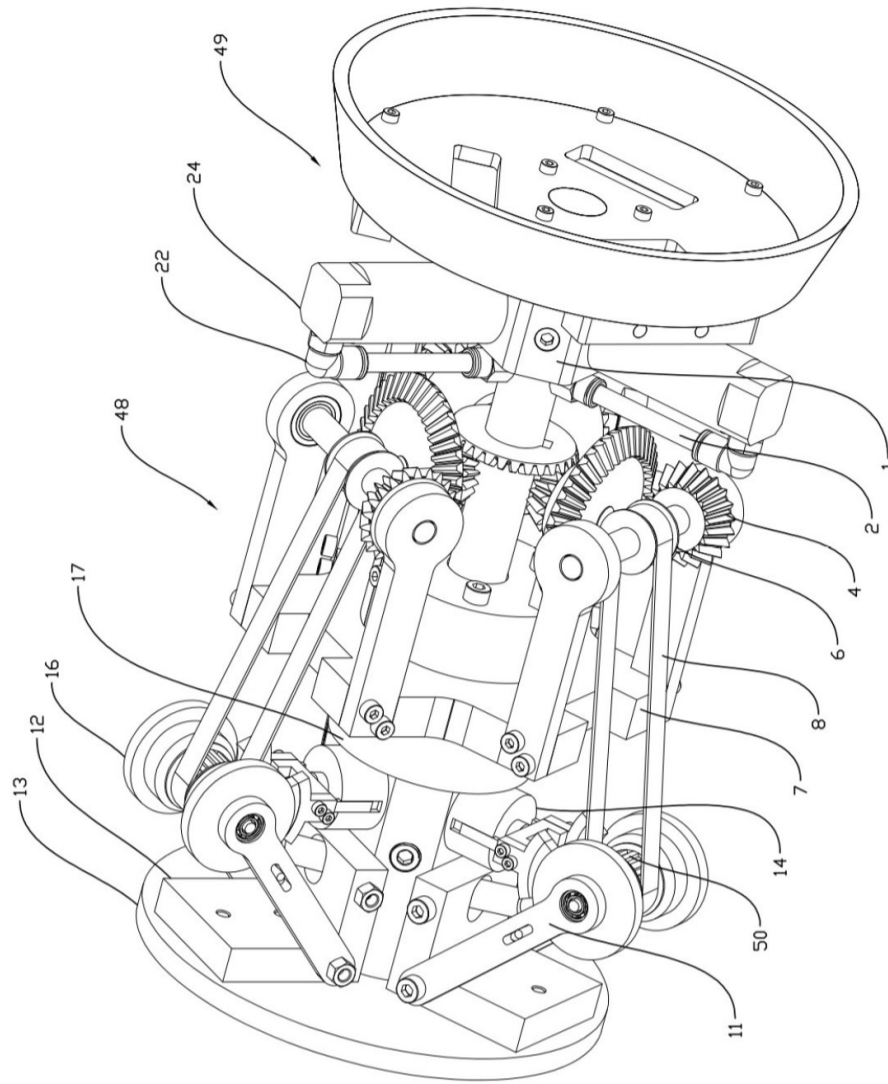
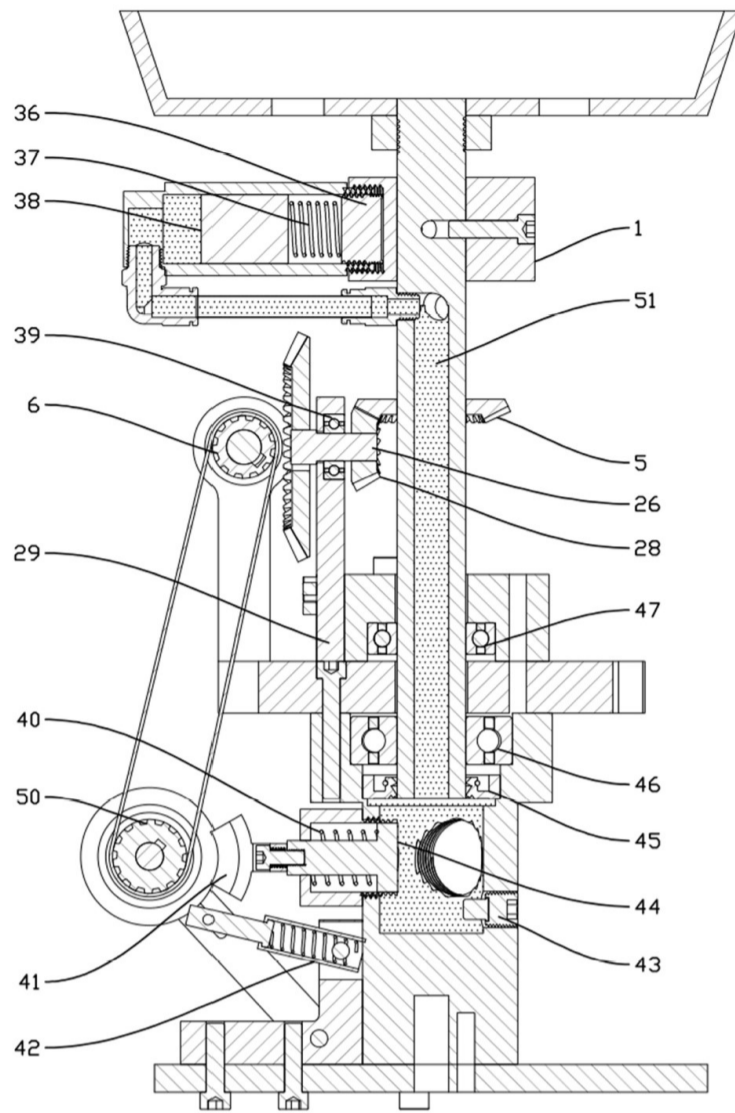


Figure-3

*Abhishek Sen*

ABHISHEK SEN  
IN/PA No. 980  
of S. MAJUMDAR & CO.  
(Applicant's Agent)



SECTION A-A

Figure- 4 (a)

*Abhishek Sen*

ABHISHEK SEN  
IN/PA No. 980  
of S. MAJUMDAR & CO.  
(Applicant's Agent)

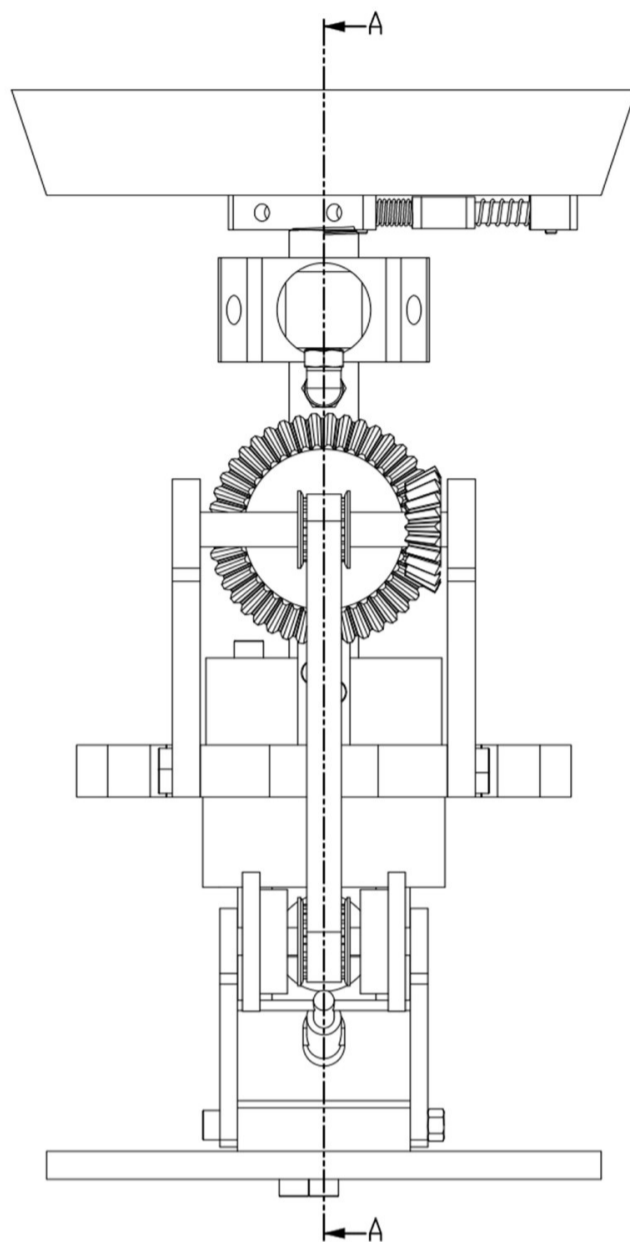


Figure- 4 (b)

*Abhishek Sen*

ABHISHEK SEN  
IN/PA No. 980  
of S. MAJUMDAR & CO.  
(Applicant's Agent)

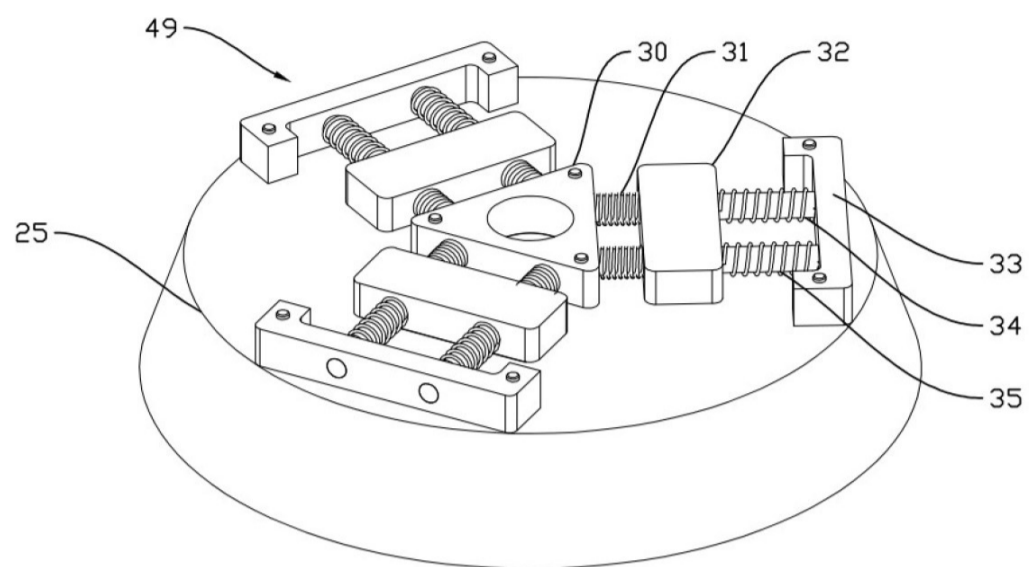


Figure- 5

*Abhishek Sen*

ABHISHEK SEN  
IN/PA No. 980  
of S. MAJUMDAR & CO.  
(Applicant's Agent)

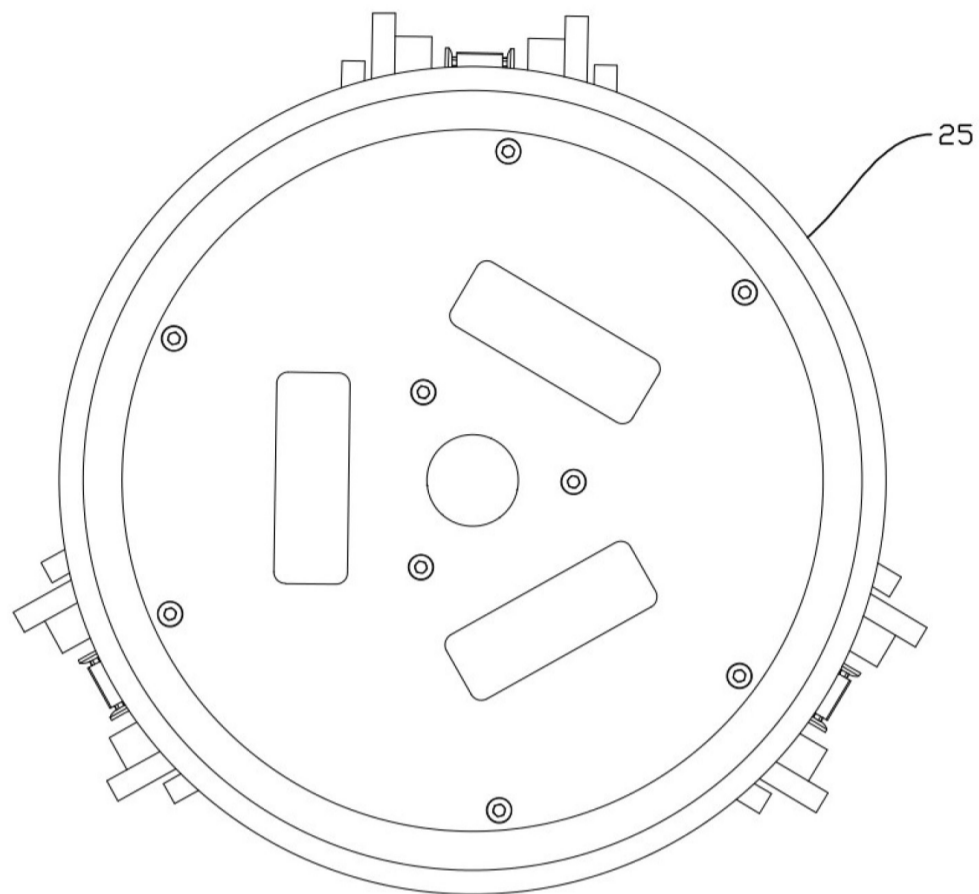


Figure- 6

*Abhishek Sen*

ABHISHEK SEN  
IN/PA No. 980  
of S. MAJUMDAR & CO.  
(Applicant's Agent)

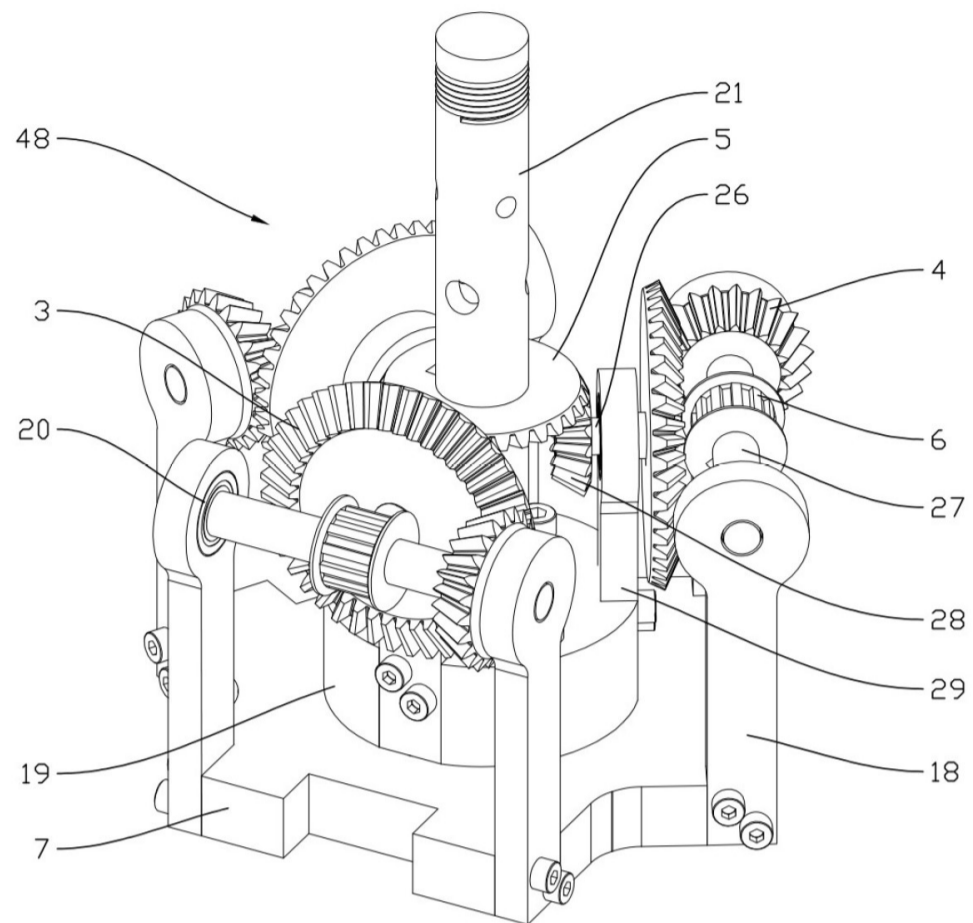


Figure- 7

*Abhishek Sen*

ABHISHEK SEN  
IN/PA No. 980  
of S. MAJUMDAR & CO.  
(Applicant's Agent)