

FIG. 1

Signature

Vidya Bhaskar Singh Nandiyal
Patent Agent (IN/PA-2912)
Agent for the Applicant

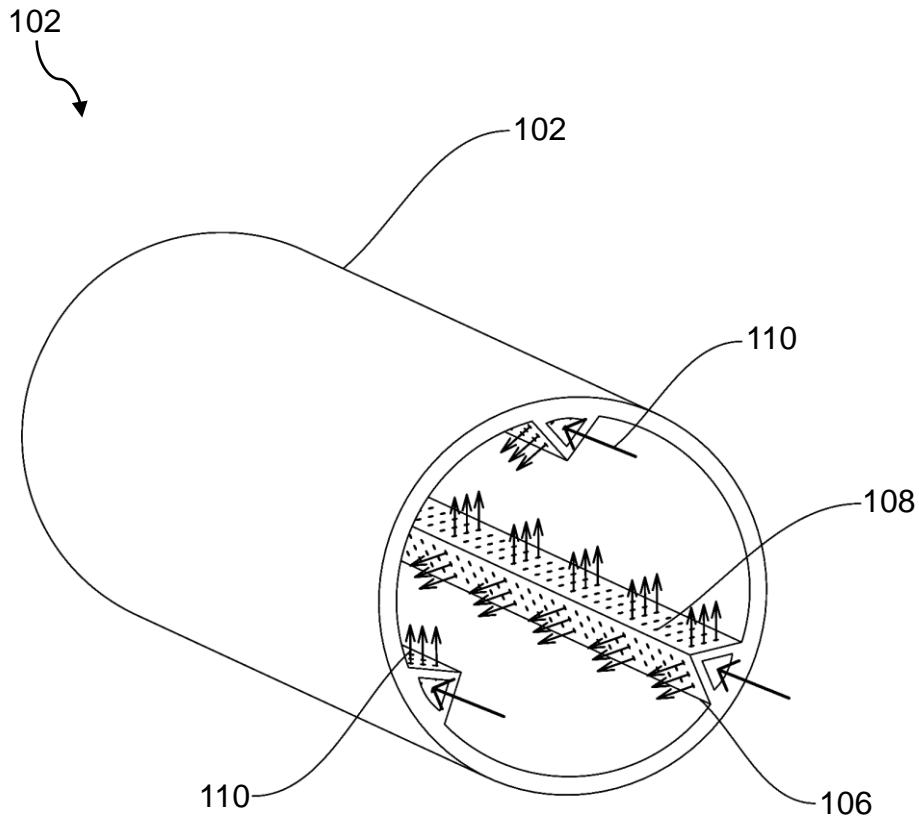


FIG. 2A

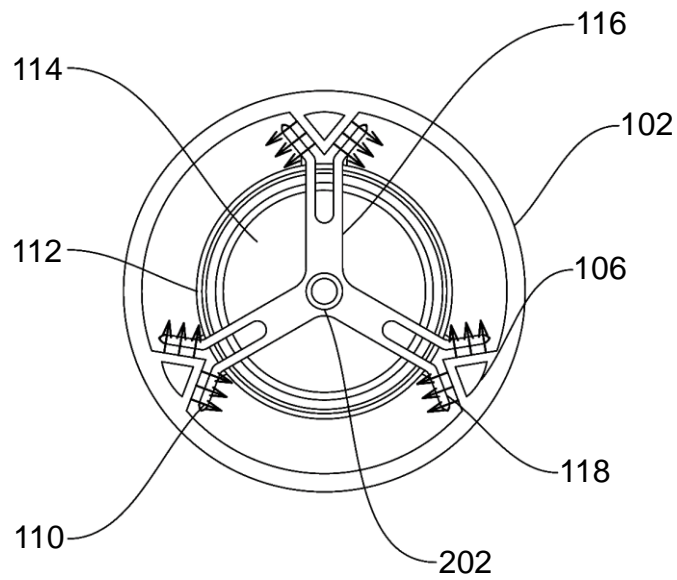


FIG. 2B

Signature

Vidya Bhaskar Singh Nandiyal
Patent Agent (IN/PA-2912)
Agent for the Applicant

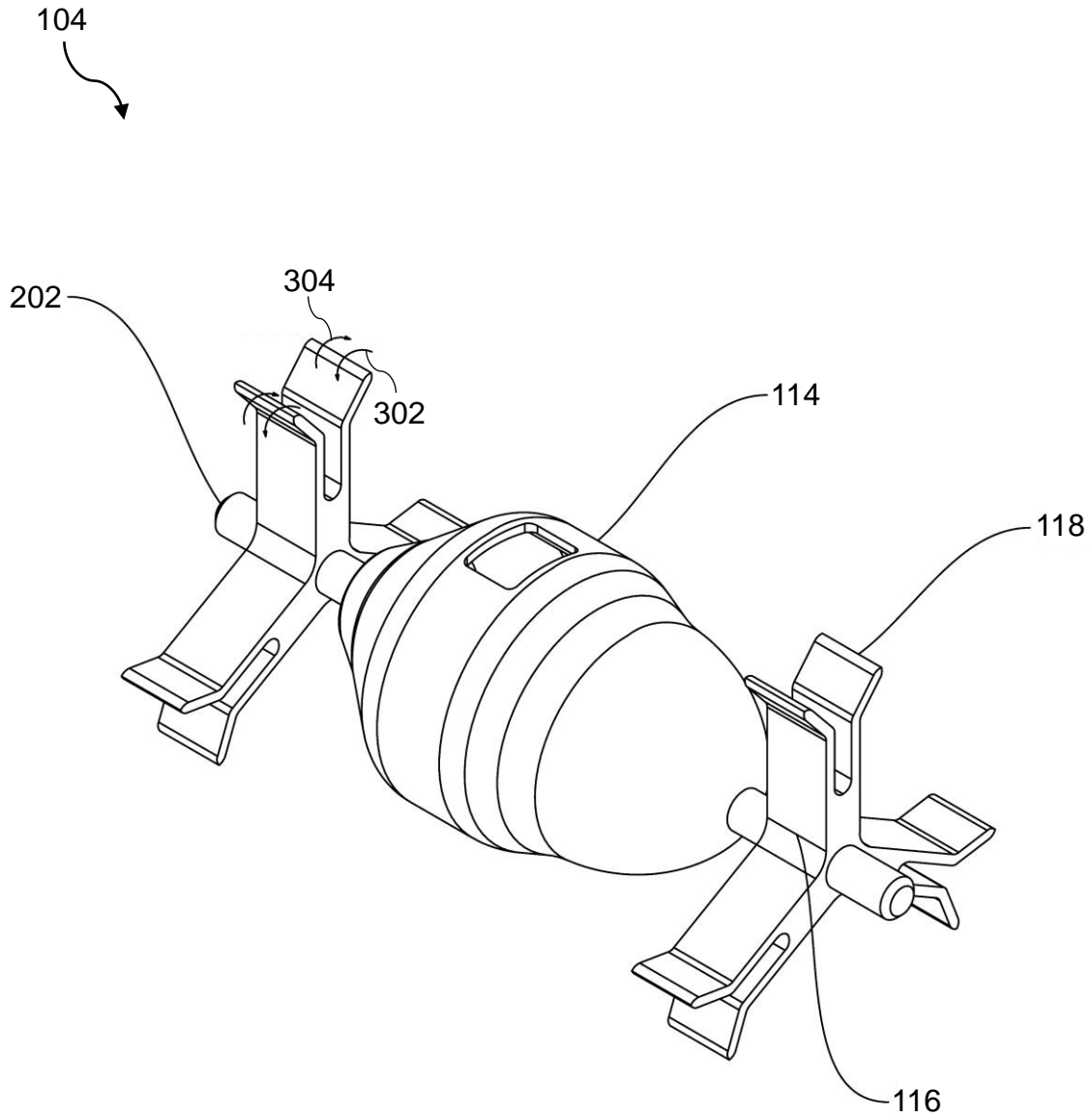


FIG. 3

Signature

Vidya Bhaskar Singh Nandiyal
Patent Agent (IN/PA-2912)
Agent for the Applicant

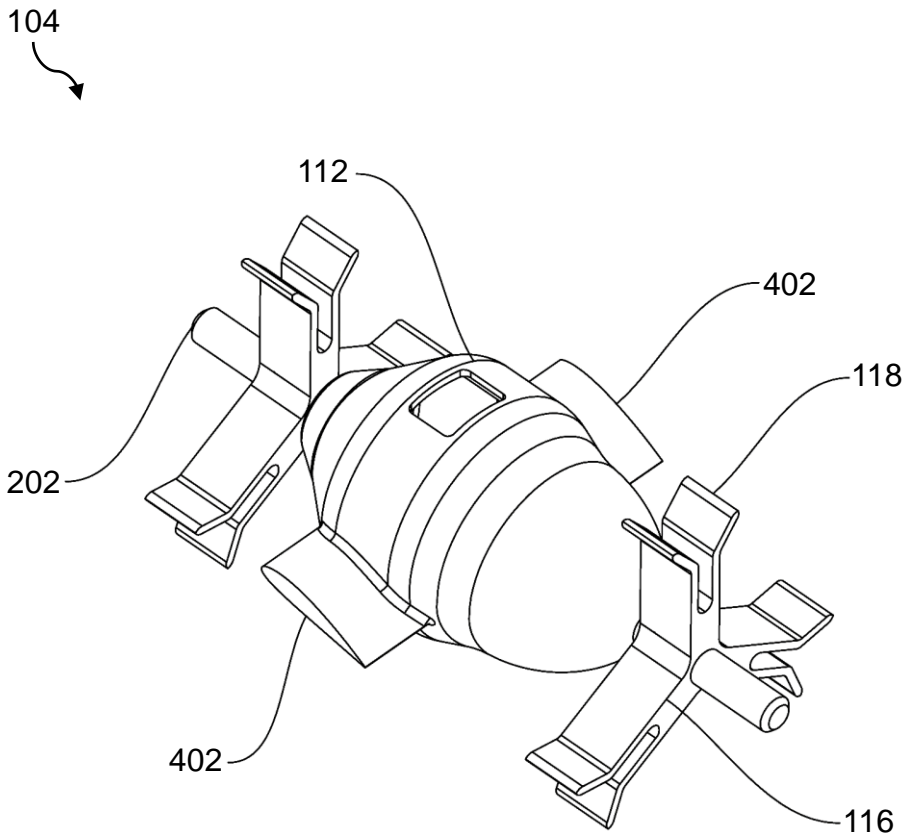


FIG. 4A

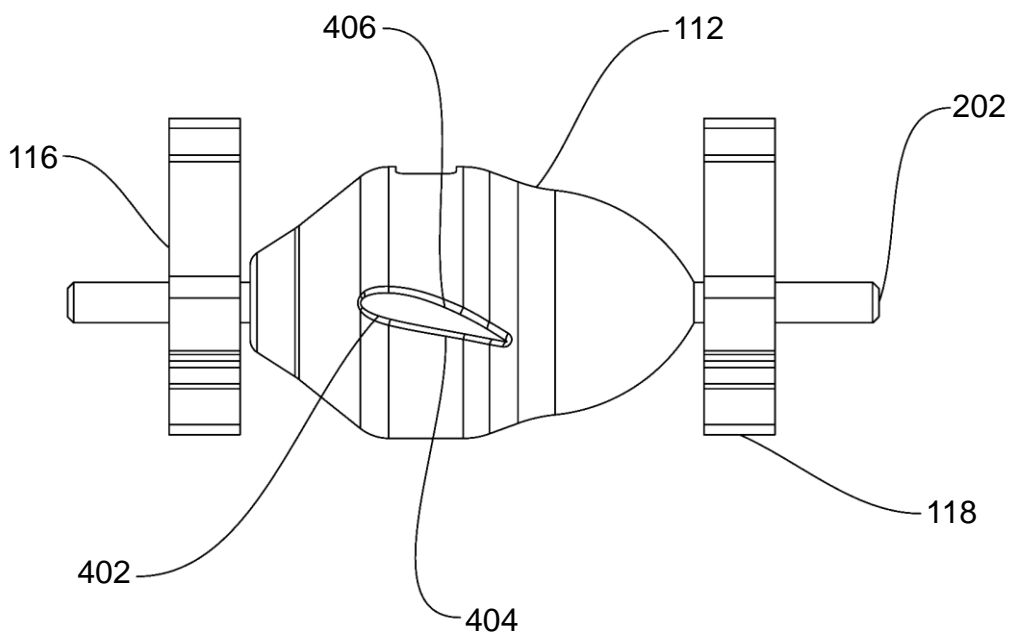


FIG. 4B

Signature

Vidya Bhaskar Singh Nandiyal
Patent Agent (IN/PA-2912)
Agent for the Applicant

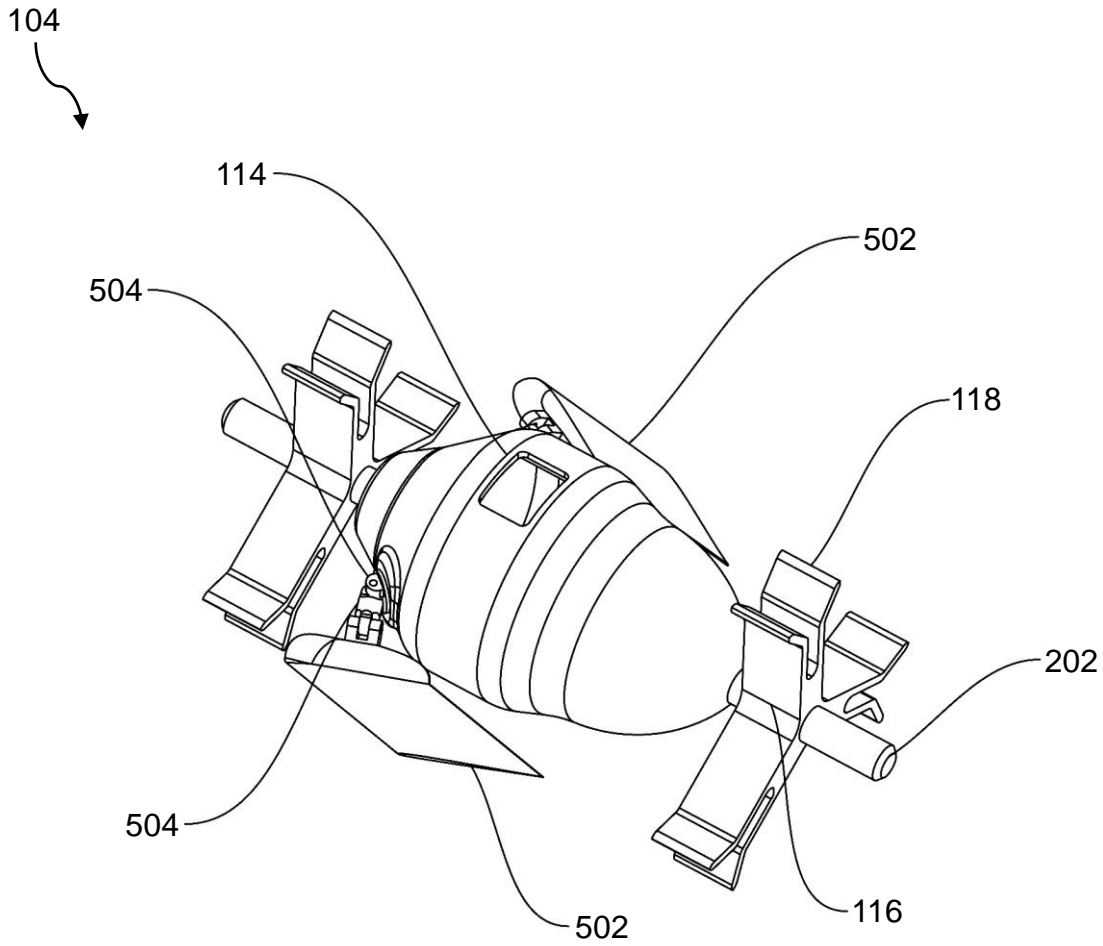


FIG. 5A

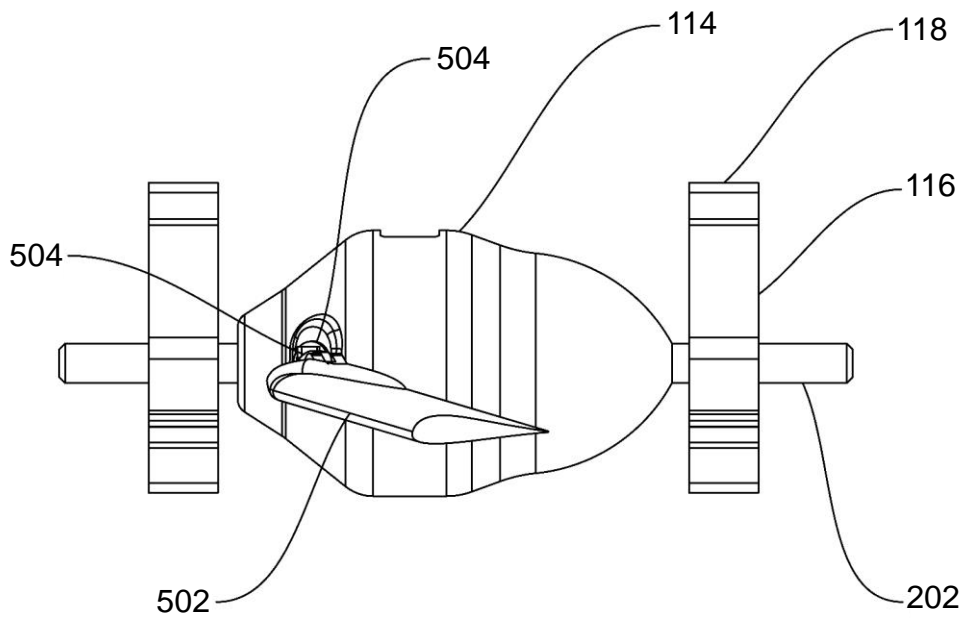


FIG. 5B

Signature

Vidya Bhaskar Singh Nandiyal
Patent Agent (IN/PA-2912)
Agent for the Applicant